

CZ6470/111

A


描述 Descriptions

防爆 LED灯和隔爆型镇流器外壳由铝合金压铸成型，表面喷涂纯环氧树脂粉末，抗腐蚀性能好。透明罩采用钢化玻璃，外露紧固件采用不锈钢材料。防爆 LED灯和隔爆型镇流器采用隔爆型电缆引入装置直接引入电缆。内装LED 颗粒，经专业的光学配光设计，灯具散热结构经专业的热学分析设计及特制铝基板导热结构，确保灯具工作时所产生的热量能很好的散热。能满足石化、化学和海上工业照明的相关要求。

- 具有良好的电磁兼容性，不会对系统电网造成干扰
- LED属于固态光源，抗震性能佳
- 安装维护方便
- 防护等级高达IP66
- IECEx 国际认证，ATEX 欧洲认证
- 可定制高光效光源，光效 $\geq 135\text{ml/W}$ （符合中国一级能效标准）

The enclosures of LED explosion-proof light fittings are manufactured of die-cast aluminum alloy, with epoxy resin powder coated surfaces. Therefore, they have good anti-corrosion performance. The transparent cover is made by the toughened glass, and the exposed fasteners are made of stainless steel. Explosion proof LED light fittings and explosion-proof ballast adopt explosion-proof cable lead. Direct incoming cable into the device. Explosion-proof lights have LED chips inside which are formed to module by professionally optical luminous distribution design. Heat dissipation structure which is designed after professional thermal analysis and the special thermal conductivity structure of aluminum pcb can ensure the heat generated from working can be dissipated well. It can satisfy the related requirements of illumination in petrochemical, chemical and marine industries.

- There is a feature of good electromagnetic compatibility and it does not cause interference to the system power grid.
- There is a good performance of vibration due to the LED is the solid-state light source.
- It is convenient to be mounted and maintained.
- The degree of protection is up to IP66.
- IECEx and ATEX certified.
- Customized high light efficiency light source with light efficiency $\geq 135\text{ml/w}$ (Meet China's first-class energy efficiency standards).

1 区和 2 区

21 区和 22 区

Zone 1 and zone 2

Zone 21 and zone 22

主要数据 Main technical data

| 认证 Certification | 防爆标志 Ex mark | 符合标准 Meet the standard |
|------------------|---|------------------------|
| China | Ex db II C T5/T4 Gb Ex tb IIIC T95°C/T130°C Db | GB/T3836 |
| IECEX | Ex db II C T5/T4 Gb Ex tb IIIC T95°C/T130°C Db | IEC60079 |
| ATEX | Ⓜ II 2GD Ex db II C T5/T4 Gb Ex tb IIIC T95°C/T130°C Db | EN60079 |

 适用范围：用于 1 区和 2 区
 用于 21 区和 22 区

 Intended use: Can be used in zone 1 and zone 2
 Can be used in zone 21 and zone 22

防护等级：IP66

Degree of protection: IP66

额定电压：110V~250V AC 50/60Hz

Rated voltage: 110V~250V AC 50/60Hz

 使用环境温度：-20°C≤Ta≤+40°C/+55°C
 -40°C≤Ta≤+40°C/+55°C

 Ambient temperature: -20°C≤Ta≤+40°C/+55°C
 -40°C≤Ta≤+40°C/+55°C

光源：LED

Light source: LED

色温：标配 5000K、(可选 3000K、4000K、6500K)

Colour temperature: Standard 5000K, (Optional 3000K, 4000K, 6500K)

功率因数：≥0.95

Power factor: ≥0.95


 接线端子：L1、N 笼式端子 2-2.5mm²，PE 端子 2×10mm²

 Terminal: L1, N cage type terminal 2-2.5mm², PE terminal: 2×10mm²

电缆入口：2-M25×1.5，电缆外径：Φ8-11.5mm

Cable entry: 2-M25×1.5, outside diameter: Φ8-11.5mm

A
订购规格 Order specifications

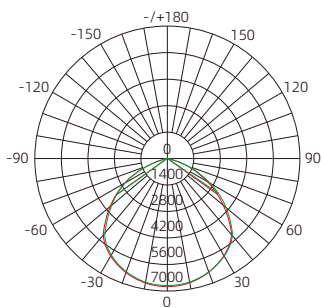
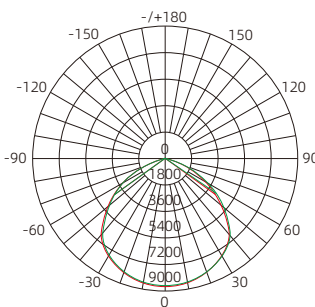
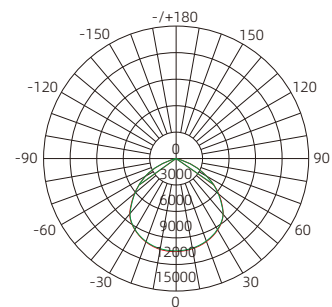
| 图样 Illustration | 功率 Power | 光通量 Luminous flux | 温度组别T* | | | | 重量(kg) Weight | 订购号 Order No. |
|---|-------------|----------------------|--------------------|--------|---------|--------|------------------|-----------------------------------|
| | | | Temperature class* | | | | | |
| | | | Ta≤40°C | | Ta≤55°C | | | |
| 气体 Gas | 粉尘 Dust | 气体 Gas | 粉尘 Dust | | | | | |
|  | 160W | 17815 lm | T5 | T95°C | T4 | T130°C | 15.3 | CZ6470/111-LED160WWB5-17-□ |
| | 200W | 22763 lm | T5 | T95°C | T4 | T130°C | 15.3 | CZ6470/111-LED200WWB5-17-□ |
| | 240W | 26771 lm | T4 | T130°C | T4 | T130°C | 15.3 | CZ6470/111-LED240WWB5-17-□ |

3-3000K 4-4000K } ← 色温 Colour temperature
 5-5000K 6-6500K }

2- -20°C≤Ta≤+40°C/+55°C } ← 使用环境温度 Ambient temperature
 4- -40°C≤Ta≤+40°C/+55°C }

配光曲线 Luminous intensity distribution curve — C0/180 — C90/270

光强单位 luminous intensity unit: cd


 平均光束角 (50%) : 109.1度
 The average beam angle (50%) : 109.1 Degree
CZ6470/111-LED160WWB-17

 平均光束角 (50%) : 110.1度
 The average beam angle (50%) : 110.1 Degree
CZ6470/111-LED200WWB-17

 平均光束角 (50%) : 110.9度
 The average beam angle (50%) : 110.9 Degree
CZ6470/111-LED240WWB-17

外形及安装尺寸 Outline and installation dimensions

单位 Unit: mm

▶ 电缆引入口 Cable entry

A

